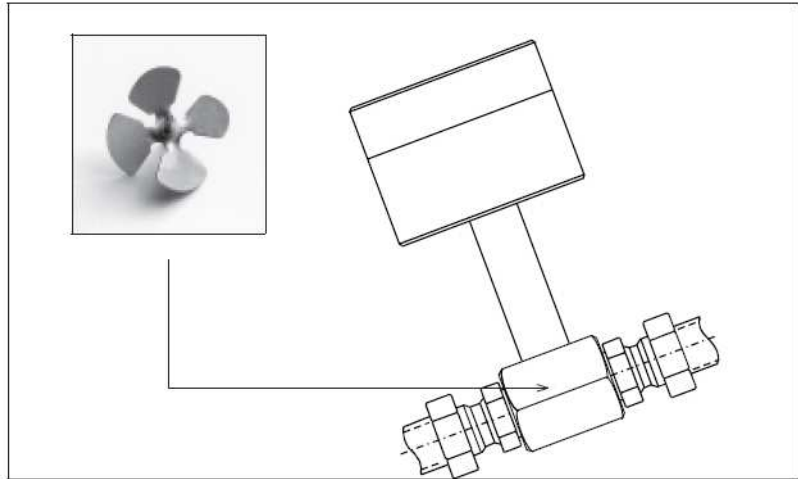
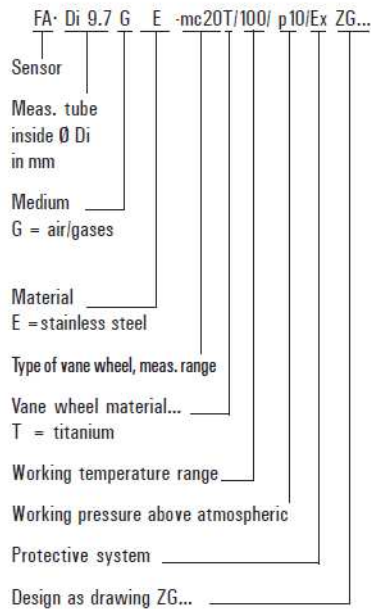


### Vane Wheel Measuring Tube 9.7 mm up to 100 °C

#### Measuring Tubes FA-Di 9.7GE...100 °C



The following applies to all measuring tubes  
**FA Di 9.7 GE-mc...T/ 100 / p10 ZG...:**

Measuring ranges  $v_{local}$  with vane wheel type  
 mc20T G: 0.6 ... 20 m/s  
 mc40T G: 0.8 ... 40 m/s

With developed flow profile, irrotational flow,  
the relation

$$v_{mean} = PF \cdot v_{local}$$

with the profile factor  $PF = 0.66$ :

$$1 \text{ m/s}_{local} \cong 0.66 \text{ m/s}_{mean}$$

$$1 \text{ m/s}_{local} \cong 2.93 \text{ actual l/min}$$

Working temperature range

continuous : -20 °C ... +100 °C  
 short-time : -25 °C ... +125 °C

Working pressure : up to 10 bar/1 MPa

Materials which come into contact with the medium

E : stainless steel, titanium, ceramics,  
sintered hard metal, VITON

Fitting attitude : as required

Connection : terminal screws

Connection housing : AS80,

L·W·H = 80·80·60 mm  
 for 0 °C ... +50 °C

Screwed cable glands : PG11, for cable with  
 Ø 5...10 mm

Protective system : sensor IP68  
 connection housing IP65

#### Other models

Ex ia IIC T6, Measuring range up to 80 m/s or  
 120 m/s ... on request

#### User's Information

for measuring with vane wheel flow sensors, see  
 also Data Sheet FA.

**Standard:** output  $v/FA$ , **optional** with  
**integrated transducer** / 24 VDC / AS80  
 Output: 4...20 mA =  
 0...terminal value G in m/s

Measuring tube as drawing ZG ...	Type of vane wheel	Meas. range G in actual l/min ≈...	Installation length L total ≈ ... mm	Input/output section in mm b = by customer	Pipe connection V = screwed conn. SRV = cutting ring V	Article no.
FA-Di 9.7... ZG6a	mc20T	1.8 ... 58.6	350	200/100	PipeV G 3/8"	b001/229
FA-Di 9.7... ZG6a	mc40T	2.4 ... 117.2	350	200/100	PipeV G 3/8"	b001/230
FA-Di 9.7... ZG7a	mc20T	1.8 ... 58.6	350	200/100	inside thread G 3/8"	b001/231
FA-Di 9.7... ZG7a	mc40T	2.4 ... 117.2	350	200/100	inside thread G 3/8"	b001/232
FA-Di 9.7... ZG9a	mc20T	1.8 ... 58.6	38+SRV	b: 200/100	SRV for pipes 12-1	b001/233
FA-Di 9.7... ZG9a	mc40T	2.4 ... 117.2	38+SRV	b: 200/100	SRV for pipes 12-1	b001/234
FA-Di 9.7... ZG8a	mc20T	1.8 ... 58.6	350	200/100	Pipes oØ 16 mm <sup>1)</sup>	b001/235
FA-Di 9.7... ZG8a	mc40T	2.4 ... 117.2	350	200/100	Pipes oØ 16 mm <sup>1)</sup>	b001/236

<sup>1)</sup> oØ = outside diameter

# Westenberg *Wind Tunnels*

## *& Measurement Systems*

### Designs of Measuring Tubes FA·Di 9.7GE...100 °C

